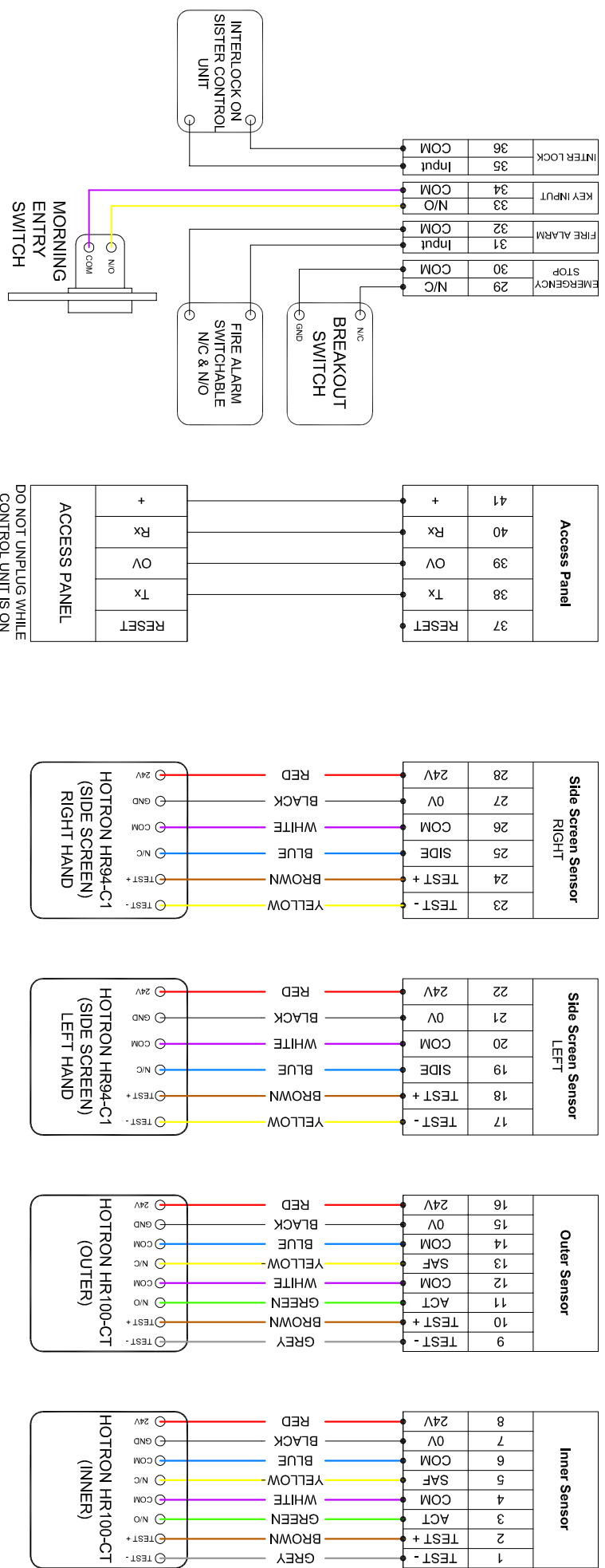


Connection and wiring

(monitored sensors)



Note: Side screen & threshold safety sensor circuits are normally closed, it requires a link wire if not used.