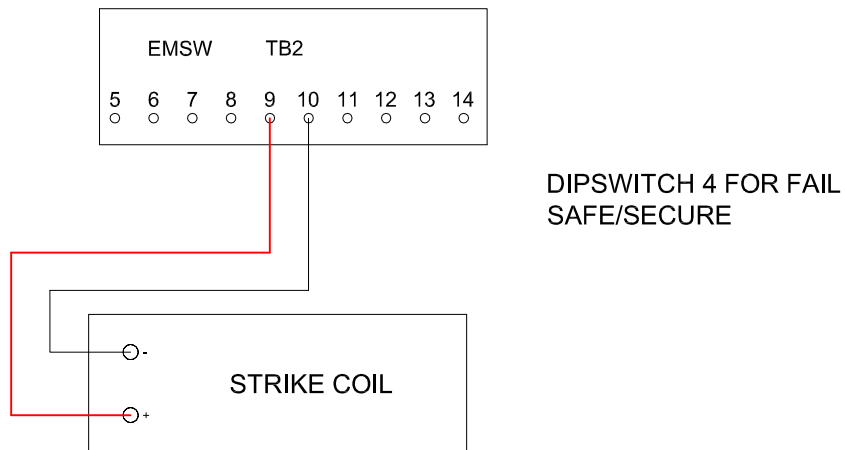
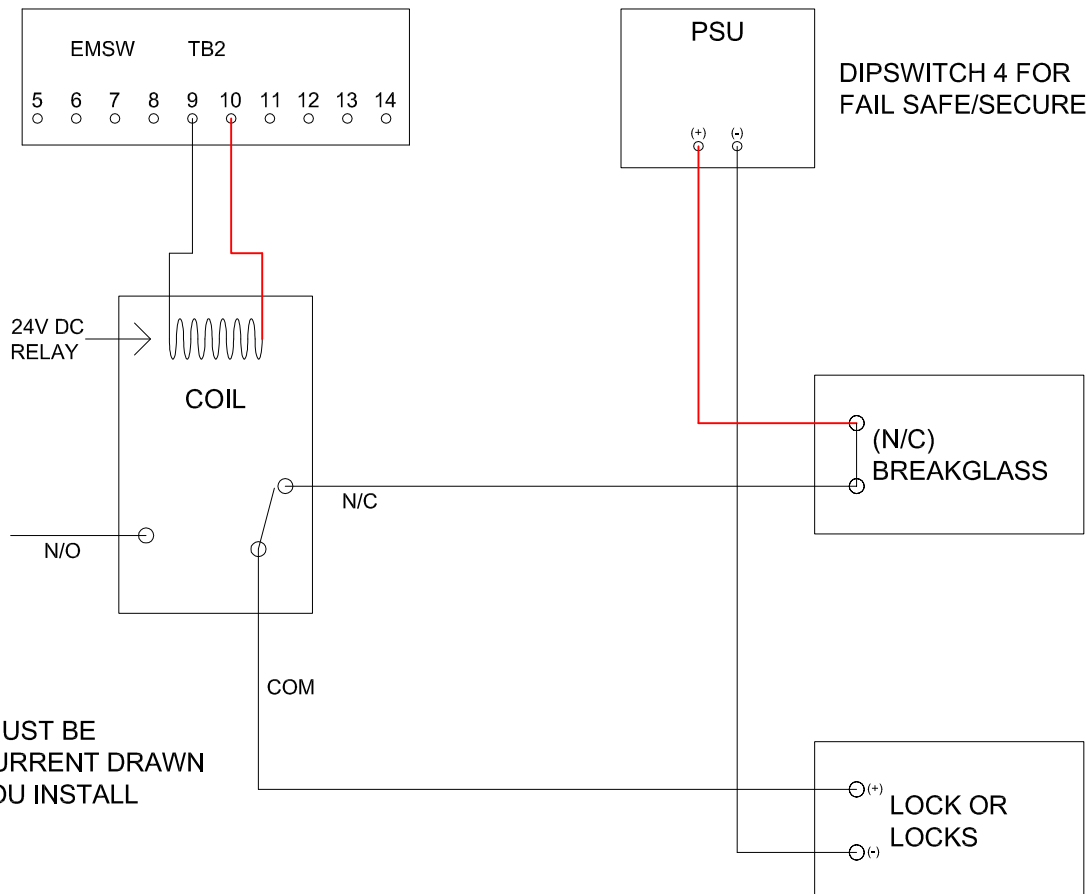


ELECTRIC LOCK CONNECTION

24V DC STRIKE (375mA MAX)



ANY OTHER LOCK



NOTE:
RELAY CONTACT MUST BE RATED FOR THE CURRENT DRAWN BY THE LOCK(S) YOU INSTALL